

# HUME PINE PINECLAD TMT DECKING INSTALLATION

Version 1.1 June 2024



## INTRODUCTION

Durable timber without the chemical treatment.

Hume Pine Pineclad TMT decking is a locally grown and manufactured radiata pine decking product. It is supplied with a factory applied coating of clear Dryden Oil.

Pineclad TMT decking may be used as a direct alternative to traditional timber external decking and stairs.

## KEEPING SAFE

Follow simple health and safety practices:

- › Create a safe working environment - be organised, and tidy.
- › Follow all instructions when using tools.
- › Make sure that the tools are regularly serviced.
- › Work in a well-ventilated area.
- › Use PPE equipment (including safety from falling harnesses, safety glasses and gloves).

More information can be found in [The Absolutely Essential Health and Safety Toolkit](#).

## HANDLING & STORAGE

Care must be taken during loading, unloading, and transporting the Pineclad TMT decking to prevent damage.

Hume Pine recommends unloading the decking by hand. If it is to be unloaded mechanically, then it should be supported to avoid unnecessary damage.

Storage is important. Failure to follow these requirements could result in a failure of the installed decking's appearance.

Hume Pine recommends that the decking is

- › stored flat
- › kept dry prior to installation
- › laid flat on timber dunnage that is positioned no more than 1 m apart and at least 150 mm off the ground, with plastic underneath the bearers.

If time delays are expected, Hume Pine recommends that the decking is separated and filleted between the layers to ensure air can circulate.

# HUME PINE PINECLAD TMT DECKING INSTALLATION

Version 1.1 June 2024



## BUILDING THE STRUCTURE

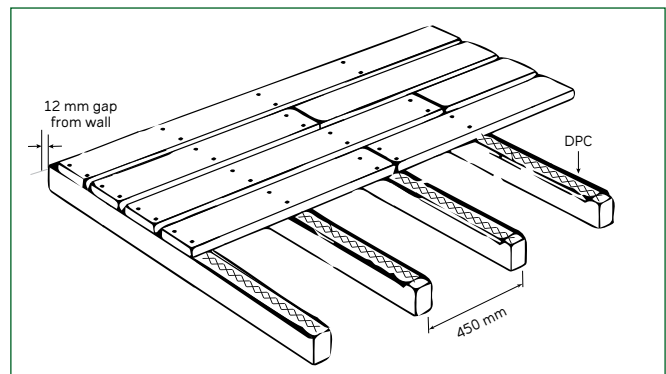
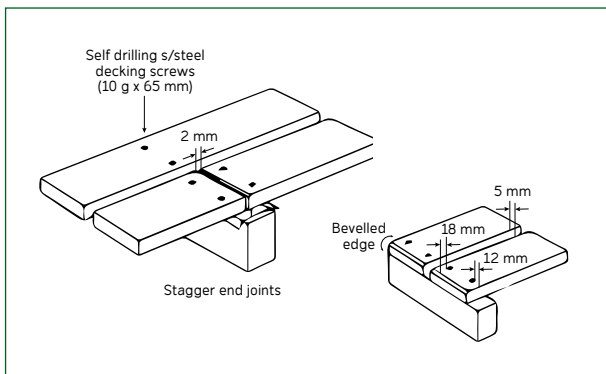
Rely on the BRANZ Build 139 Timber Decks Supplement. This covers all you need to know about constructing a deck or external stairs.

However, Pineclad TMT decking has specific fixing requirements.

## FIXING PINECLAD TMT DECKING

Pineclad TMT decking is supplied with a smooth surface as well as a ribbed (reeded) surface. The decking may be used with either surface face up.

### Pineclad TMT specific fixing requirements



## FINISHING & MAINTAINING

Pineclad TMT decking is supplied with a pre-applied coating of clear Dryden penetrating oil. How the decking is finished depends on the desired look and feel.

I want to maintain the original appearance as supplied	I want a different colour	I want to leave the timber to become silvered
↓ Finish deck with the application of another coating of clear Dryden oil.	↓ Finish deck with the application of a coating of Dryden oil (colour of choice).	↓ No further coating. Timber will weather naturally and silver over time.
↓ Annual maintenance inspection. Wash, soft wash, or use Dryden surface cleaner.		
↓ Recoat with clear Dryden oil.	↓ Recoat with selected Dryden oil.	
For more information, visit <a href="http://www.dryden.co.nz">www.dryden.co.nz</a> .		