

45 x 20 Vertibat

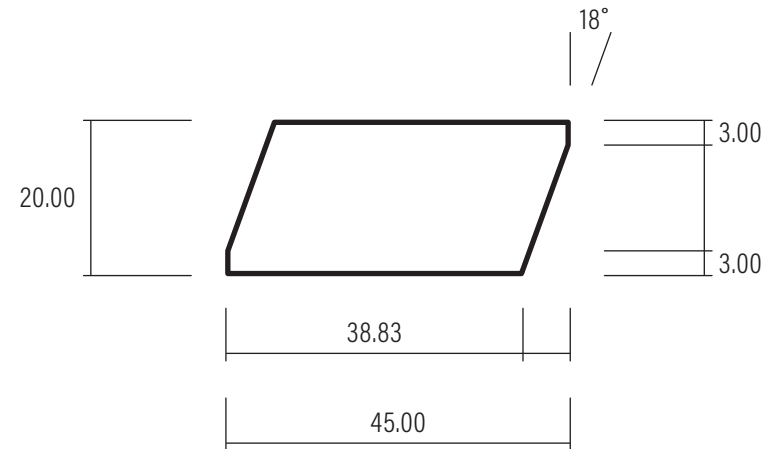
Version V1

Date: 03/03/2023

Ref: DS150

1:1 SCALE

WHEN PRINTED TO A4 AT 100%



0508 111 000

sales@humepine.nz

210 Te Ngae Road, PO Box 1611, Rotorua 3040, New Zealand

